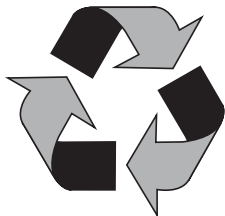
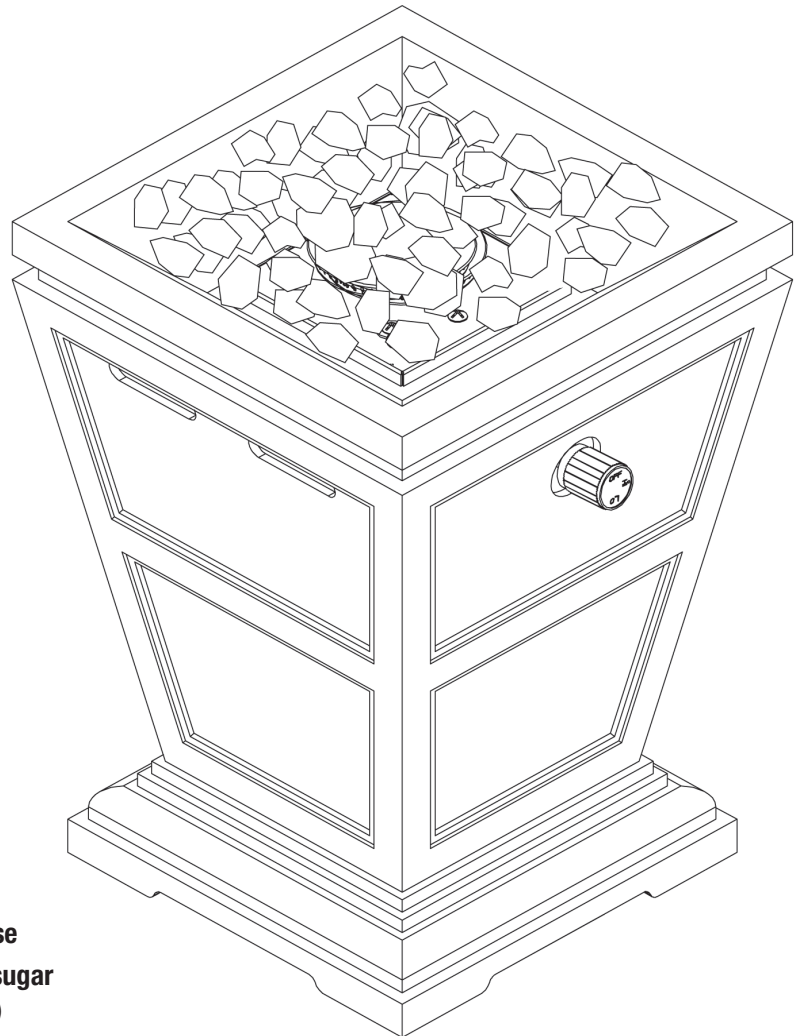


LP Gas Outdoor Fire Column

Model No. GLT1343SP



Made from 75% Bagasse
(environmentally friendly sugar
cane pulp by-product)



Table of Contents

Dangers and Warnings	Page 2
Expanded View and Hardware.	4
Assembly Instructions.	5
Installing LP Gas Tank.	5
Operating Instructions.	6
Cleaning and Care	6
Product Registration	7
Replacement Parts	7
Limited Warranty	7
Troubleshooting	8

The use and installation of this product must conform to local codes. In absence of local codes, use the latest edition of the *National Fuel Gas Code, ANSI Z223.1/NFPA 54*, or *International Fuel Gas Code*. This appliance, when installed, must be electrically grounded in accordance with local codes, or in the absence of local codes with the *National Electrical Code, ANSI/NFPA 70*, if applicable.

For installation in Canada - these instructions, while generally acceptable, do not necessarily comply with the Canadian installation codes, particularly with piping above and below ground. In Canada the installation of this appliance must comply with local codes and/or standard CAN/CGA B149.1 (installation code for propane burning appliances and equipment).

California Proposition 65: Combustion by-products produced when using this product contain chemicals known to the State of California to cause cancer, birth defects, and other reproductive harm.

California Proposition 65: Wash your hands after handling this product.

DANGER



CARBON MONOXIDE HAZARD

- This appliance can produce carbon monoxide which has no odor.
- Using it in an enclosed space can kill you.
- Never use this appliance in an enclosed space such as a camper, tent, car or home.



WARNING

FOR YOUR SAFETY:

For Outdoor Use Only (outside any enclosure)
Do Not Use For Cooking.



WARNING

FOR YOUR SAFETY:

- ▲ If the information in this manual is not followed exactly, a fire or explosion may result causing property damage, personal injury or loss of life.
- ▲ WHAT TO DO IF YOU SMELL GAS:
 - Do NOT try lighting any appliance.
 - Do NOT touch any electrical switch; do NOT use any phone in your building.
 - Immediately call your gas supplier from a neighbor's phone.
 - Follow the gas supplier's instructions.
 - If you cannot reach your gas supplier, call the fire department.
- ▲ Installation and service must be performed by a qualified installer, service agency or gas supplier.
- ▲ Save these instructions for future reference.
- ▲ If you are assembling this unit for someone else, give this manual to him or her to read and save for future reference.



WARNING

FOR YOUR SAFETY:

- ▲ Improper installation, adjustment, alteration, service or maintenance can cause injury or property damage.
- ▲ Read the installation, operation and maintenance instructions thoroughly before installing or servicing this equipment.



DANGER

If you smell gas -

1. Shut off gas to appliance.
2. Extinguish any open flame.
3. Open lid.
4. If odor continues, keep away from the appliance and immediately call your fire department.

Failure to follow these instructions could result in fire or explosion which could cause property damage, personal injury or death.



WARNING

FOR YOUR SAFETY:

1. Do NOT store or use gasoline or other flammable vapors or liquids in the vicinity of this or any other appliance.
2. An LP-cylinder not connected for use shall not be stored in the vicinity of this or any other appliance.



DANGER

Do NOT leave this appliance unattended while it is in operation.

DANGERS and WARNINGS: FOR YOUR SAFETY

- ▲ **DANGER:** Failure to follow the dangers, warnings and cautions in this manual may result in serious bodily injury or death, or in a fire or an explosion causing damage to property.

- ▲ **WARNINGS:**
- ▲ This appliance is for outdoor use only, and should NOT be used in a building, garage or any other enclosed area.
- ▲ Do NOT operate, light or use this appliance within ten feet (3.05 m) of walls, structures or buildings.
- ▲ For residential use only. This outdoor fireplace is NOT for commercial use.
- ▲ Do NOT use this outdoor fireplace for indoor heating. TOXIC carbon monoxide fumes can accumulate and cause asphyxiation.
- ▲ This outdoor fireplace is safety certified for use in the United States and/or Canada only. Do NOT modify for use in any other location. Modification will result in a safety hazard and will void your warranty.
- ▲ Apartment dwellers: Check with management to learn the requirements and fire codes for using a liquid propane (LP) gas outdoor fireplace in your apartment complex. If allowed, use outside on the ground floor with a ten foot (3.05 m) clearance from any structure. Do NOT use on or under balconies.
- ▲ This outdoor fireplace, from the factory, is for use with LP gas only. The conversion to or attempted use of natural gas in this outdoor fireplace is dangerous, may cause bodily harm and will void your warranty.
- ▲ LP gas characteristics:
 - a. LP gas is flammable and hazardous if handled improperly. Become aware of the characteristics before using any LP gas product.
 - b. LP gas is explosive under pressure, heavier than air, and settles/pools in low areas.
 - c. LP gas in its natural state has no odor. For your safety, an odorant is added that smells like rotten cabbage.
 - d. Contact with LP gas can cause freeze burns to skin.
- ▲ LP gas tank needed to operate. Only tanks marked "propane" may be used.
 - a. The LP gas cylinder must be constructed and marked in accordance with the *U.S. Department of Transportation (D.O.T.) Specifications for LP-Gas Cylinders*, or the *Standard for Cylinders, Spheres and Tubes for the Transportation of Dangerous Goods and Commission, CAN/CSA-B339* as applicable.
 - b. LP gas tank must be arranged for vapor withdrawal.
 - c. The LP gas tank must have a listed overfilling prevention device (OPD) and a QCCI or Type I (CGA810) LP gas tank connection.
 - d. The LP gas tank must have a tank collar to protect the tank valve.
 - e. Never use an LP gas tank with a damaged body, valve, collar or footing.
 - f. Dented or rusted LP gas tanks may be hazardous and should be checked by your LP gas supplier prior to use.
 - g. The LP gas tank should not be dropped or handled roughly.
 - h. Tanks must be stored outdoors, out of the reach of children and must not be stored in a building, garage or any other enclosed area. Your LP gas tank must never be stored where temperatures can reach over 125°F.
 - i. Do NOT insert any tool or foreign object into the valve outlet or safety relief valve. You may damage the valve and cause a leak. Leaking propane may result in explosion, fire, severe personal injury or death.
 - j. Never keep an LP gas tank in a hot car or trunk. Heat will cause the gas pressure to increase, which may open the relief valve and allow gas to escape.
 - k. Place dust cap on cylinder valve outlet whenever the cylinder is not in use. Only install the type of dust cap on the cylinder valve outlet that is provided with the cylinder valve. Other types of caps or plugs may result in leakage of propane.
 - l. Do NOT store a spare LP gas tank under or near this appliance.
 - m. Never fill the cylinder beyond 80 percent full.
 - n. A fire causing serious injury or damage to property may occur if the above is not followed exactly.
- ▲ Your outdoor fireplace has been checked at all factory connections for leaks. Recheck all connections as described in the "Operating Instructions" section, as shipping can loosen connections.
- ▲ Check for leaks even if your unit was assembled for you by someone else.
- ▲ Do NOT operate if a gas leak is present. Gas leaks may cause a fire or explosion.
- ▲ You must follow all instructions in the "Checking for Leaks" section before operating. To prevent a fire or explosion when testing for a leak:
 - a. Always perform a leak test before lighting this outdoor fireplace and each time the tank is connected for use.
 - b. No smoking. Do NOT use or permit sources of ignition in the area while conducting a leak test.
 - c. Conduct the leak test outdoors in a well-ventilated area.
 - d. Do NOT use matches, lighters or a flame to check for leaks.
 - e. The use of alcohol, prescription or non-prescription drugs may impair the consumer's ability to properly assemble or safely operate the appliance.
 - f. Strong odors, colds, sinus congestion, etc. may prevent the detection of propane. Use caution and common sense when testing for leaks.
 - g. Do NOT use this outdoor fireplace until any and all leaks are corrected.
If you are unable to stop a leak, disconnect the LP gas supply. Call a gas appliance serviceman or your local LP gas supplier.
- ▲ Do NOT store or use gasoline or other flammable liquids or vapors within 25 feet (7.62 m) of this appliance.
- ▲ Do NOT use in an explosive atmosphere. Keep outdoor fireplace area clear and free from combustible materials, gasoline and other flammable vapors and liquids.
- ▲ This outdoor fireplace is NOT to be operated by children.
- ▲ This outdoor fireplace is NOT to be used in or on boats or recreational vehicles.
- ▲ Do NOT connect to a remote gas supply.
- ▲ Never attempt to attach this outdoor fireplace to the self-contained LP gas system of a camper trailer, motor home or house.
- ▲ Always use in accordance with all applicable local, state and national codes. Contact your local fire department for details on outdoor burning.
- ▲ When using this outdoor fireplace, exercise the same precautions you would with any open fire.
- ▲ Do NOT use this outdoor fireplace without reading the entire Owner's Manual.
- ▲ Do NOT burn solid fuels such as: wood, charcoal briquettes, lump charcoal, manufactured logs, driftwood, trash, leaves, paper, cardboard, plywood, painted/stained/pressure treated wood in this outdoor fireplace.
- ▲ It is essential to keep the outdoor fireplace's valve compartment, burners, and circulating air passages clean. Inspect outdoor fireplace before each use.
- ▲ Do NOT use this outdoor fireplace until it is COMPLETELY assembled and all parts are securely fastened and tightened.
- ▲ Do NOT use this outdoor fireplace near automobiles, trucks, vans or recreational vehicles.
- ▲ Do NOT use this outdoor fireplace under any overhang or near any unprotected combustible constructions. Avoid using near or under overhanging trees and shrubs.
- ▲ Always use this outdoor fireplace on a hard, level, non-combustible surface such as concrete, rock or stone. An asphalt or blacktop surface may not be acceptable for this purpose.
- ▲ Do NOT use this outdoor fireplace for cooking.

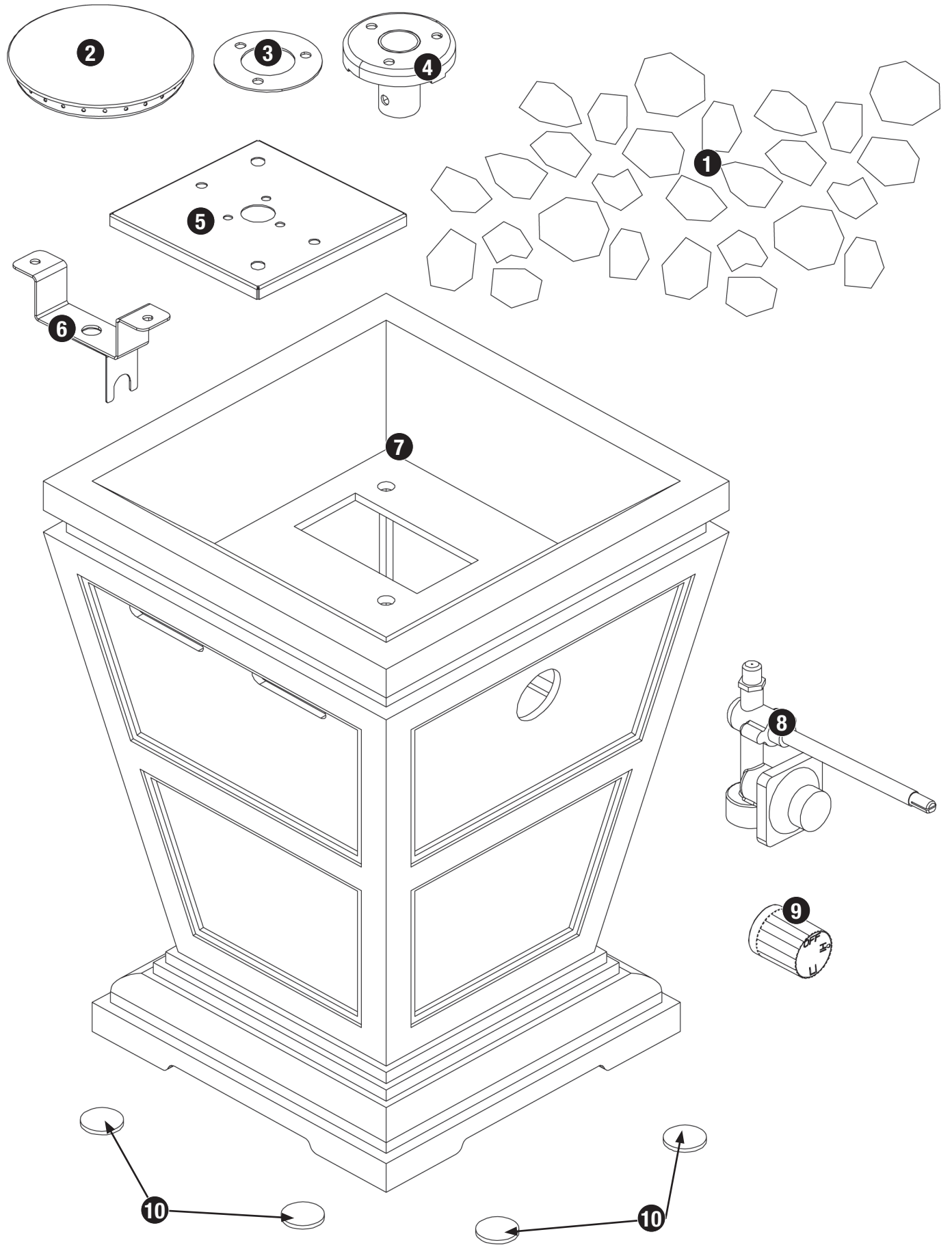
- ▲ Do NOT use this appliance if any part has been under water. Immediately call a qualified service technician to inspect the appliance and to replace any part or control system and any gas control which has been under water.
- ▲ Do NOT wear flammable or loose clothing when operating this outdoor fireplace.
- ▲ Do NOT use in windy conditions.
- ▲ Never lean over this outdoor fireplace when lighting or when in use.
- ▲ Do NOT use this outdoor fireplace unless burner is securely in place.
- ▲ Keep all electrical cords away from this outdoor fireplace during use.
- ▲ Certain areas of this outdoor fireplace when in use will become too hot to touch. To avoid burns, do NOT touch hot surfaces until the unit has completely cooled (about 45 minutes), unless you are wearing protective gear (such as insulated pot holders or heat-resistant gloves/mittens).
- ▲ Do NOT leave a lit outdoor fireplace unattended, especially around children and pets.
- ▲ Children and adults should be alerted to the hazards of high surface temperatures and should stay away to avoid burns or clothing ignition.
- ▲ Young children should be carefully supervised when they are in the area of the appliance.
- ▲ Do NOT hang or place clothing or other flammable material on or near this appliance.
- ▲ Any guard or other protective device removed for servicing the appliance must be replaced prior to operating the appliance.
- ▲ If applicable, protective cover must be removed when burner is in operation.
- ▲ Do NOT attempt to move outdoor fireplace when in use. Allow the outdoor fireplace to cool before moving or storing.
- ▲ This outdoor fireplace should be thoroughly cleaned and inspected on a regular basis.
 - a. Clean and inspect the hose before each use of the appliance. If there is evidence of abrasion, wear, cuts, or leaks, the hose must be replaced prior to the appliance being operated.
 - b. Inspect the burner before each use of the appliance. If there is evidence of burner damage, the burner must be replaced prior to the appliance being operated. Use only the burner specified by Blue Rhino Global Sourcing, Inc.
- ▲ This outdoor fireplace should be inspected at least annually by a qualified service person. Depending on amount of use, more frequent cleaning may be required. Do NOT operate until all parts have been repaired or replaced.
- ▲ Use only the regulator and hose assembly provided. Use only the replacement regulator and hose assembly specified by Blue Rhino Global Sourcing, Inc.
- ▲ Use only Blue Rhino Global Sourcing, Inc. factory-authorized parts. The use of any part that is not factory-authorized can be dangerous and will void your warranty.
- ▲ Do NOT operate this appliance without reading "Operating Instructions" in this manual.
- ▲ Storage of this outdoor fireplace indoors is permissible only if the tank is disconnected, removed from the outdoor fireplace and properly stored outdoors.
- ▲ Do NOT attempt to disconnect the gas regulator from the tank or any gas fitting while the outdoor fireplace is in use.
- ▲ If the outdoor fireplace is not in use, the gas must be turned off at the supply tank.
- ▲ The pressure regulator is set for 11 inches of water column.
- ▲ The maximum inlet gas pressure for this outdoor fireplace is 11 inches of water column.
- ▲ Before pressure testing, close LP gas tank valve and disconnect gas regulator. The gas supply piping system must test at pressures equal to or less than 1/2 psi (3.5 kPa).
- ▲ Do NOT sit or stand on the mantle or any part of this appliance.
- ▲ Do NOT throw anything onto the fire when the unit is in operation.
- ▲ Fire logs, glass and lava rock are very hot. Keep children or pets at a safe distance from this appliance.
- ▲ The opening of the tank collar should face toward the door side for easy access.
- ▲ Do NOT store any combustible materials in the base enclosure.
- ▲ Use protective gloves when assembling this product.
- ▲ Do NOT force parts together as this can result in personal injury or damage to the product.
- ▲ Death, serious injury or damage to property may occur if the above is not followed exactly.

Parts List

1	Glass Rock	58-23-089
2	Burner*	58-23-090
3	Burner Shield*	58-23-091
4	Venturi Tube*	58-23-092
5	Heat Shield*	58-23-094
6	Burner Bracket*	58-23-095
7	Body*	58-23-103
8	Valve/Regulator*	58-23-104
9	Control Knob*	58-23-098
10	Foot (4)*	58-23-101

* Pre-assembled

Expanded View



Assembly Instructions

1

DO NOT RETURN TO PLACE OF PURCHASE.

For assistance, call **1.800.762.1142** toll-free. Please have your Owner's Manual and model number available for reference.

Note: The model number is printed on a label which can be found on the inside door, back or side of the base assembly.

Assembly Tips:

1. Select an area where you will assemble this product. To protect components, choose a smooth non abrasive surface that's free of cracks or openings.
2. Spread out all parts.
3. Tighten all hardware connections by hand first. Then, before completing each step, go back and fully tighten all hardware. Be careful not to over-tighten. That could damage surfaces or strip threads.
4. For best results, complete each step in the order presented.

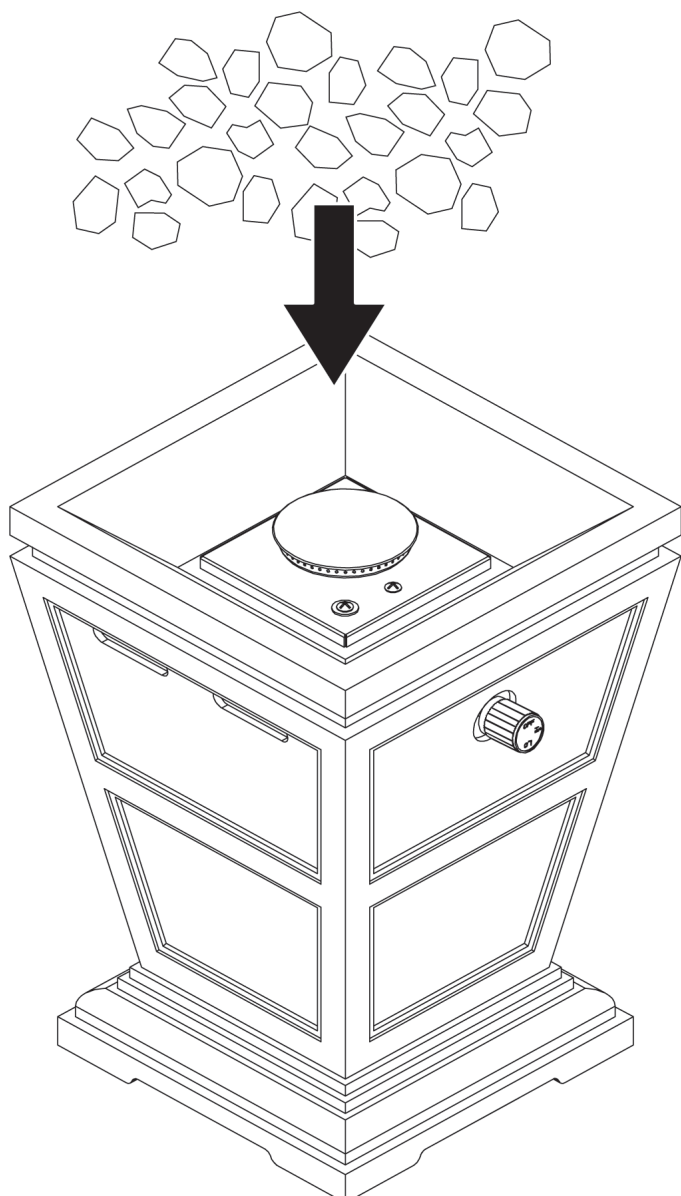
To complete assembly you will need:

- (1) Leak detection solution (instructions on how to make the solution are included in the "Operating Instructions" section of this manual).
- (1) 16.4 oz LP gas tank (not included).

Typical assembly is approximately 5 minutes.

2

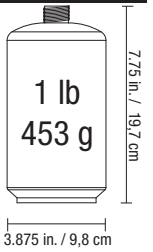
Insert Glass Rocks



Installing LP Gas Tank

This fireplace is designed to operate with a 1 lb. / 16.4 oz. propane gas tank (DOT 39 Cylinder).

DO NOT ATTEMPT TO REFILL ANY 1 lb. (16.4 oz.) PROPANE GAS TANKS!



Connect LP Gas Tank

Only cylinders marked "propane" may be used.

Note: Some 1-lb cylinders may form frost when near empty.

1. Make sure the control knob is in the "OFF" position (Figure 6).
2. Lubricate the threads of the regulator with petroleum jelly. Line up threads on LP gas tank with regulator.
3. Insert LP gas tank (Figure 1).
4. Rotate LP gas tank clockwise until they fit snugly together. **HAND TIGHTEN ONLY.** Be careful not to cross-thread when screwing in tank (Figure 2).
5. Perform leak test per "Checking for Leaks" section.

Figure 1

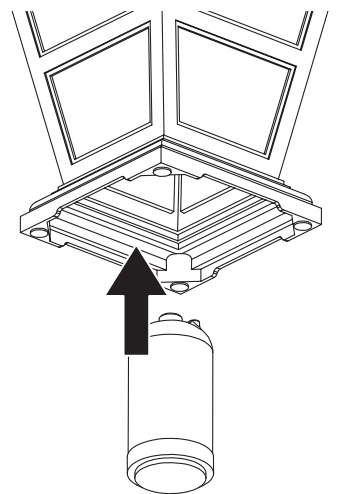
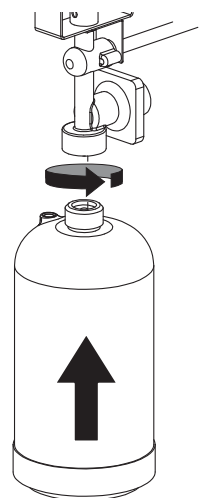


Figure 2



Disconnect LP Gas Tank

1. Turn the control knob to the "OFF" position (Figure 6).
2. Rotate LP gas tank counterclockwise until it is loose (Figure 4).
3. Remove LP gas tank (Figure 3).
4. Store the LP gas tank in a proper location, per LP gas tank instructions.

Figure 3

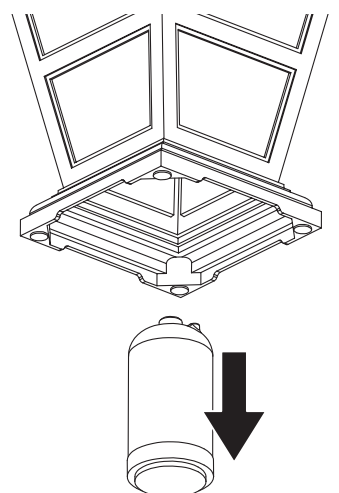
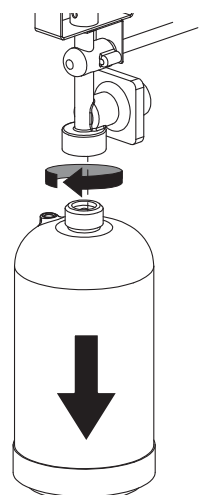


Figure 4



Operating Instructions

Checking for Leaks

- ▲ **WARNING:** Before using this outdoor fire bowl, make sure you have read, understand and are following all information provided in the Dangers and Warnings presented on page 2. Failure to follow those instructions can cause death, serious injury or property damage.

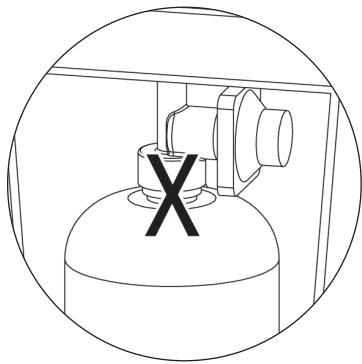
Burner Connections

1. Make sure the regulator hose and valve connections are securely fastened to the burner and the tank.
2. Visually check the connection between the burner/venturi tube and orifice.
3. Make sure the burner/venturi tube fits over the orifice.

- ▲ **WARNING:** Failure to inspect this connection or follow these instructions could cause a fire or an explosion which can cause death, serious bodily injury or damage to property.

4. Please refer to diagrams for proper installation (Figure 5).
5. If the burner/venturi tube does not rest flush to the orifice as shown, please contact 1.800.762.1142 for assistance.

Figure 5



Tank/Gas Line Connection

1. Make 2-3 oz. of leak detection solution by mixing one part liquid dishwashing soap with three parts water.
2. Make sure control knob is in the "OFF" position (Figure 6).
3. Connect LP gas tank per "Installing LP Gas Tank" section.
4. Turn LP gas tank valve to "OPEN."
5. Spoon several drops of solution, or use a squirt bottle, at all "X" locations (Figure 5).
 - a. If any bubbles appear, turn LP gas tank valve to "CLOSED," reconnect and re-test.
 - b. If you continue to see bubbles after several attempts, turn LP gas tank valve to "CLOSED" and disconnect LP gas tank, per "Disconnect LP Gas Tank" section. Contact 1.800.762.1142 for assistance.
 - c. If no bubbles appear after one minute, turn LP gas tank valve to "CLOSED," wipe away solution and proceed.

Figure 6

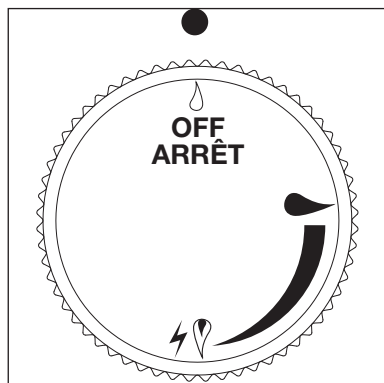


Figure 7

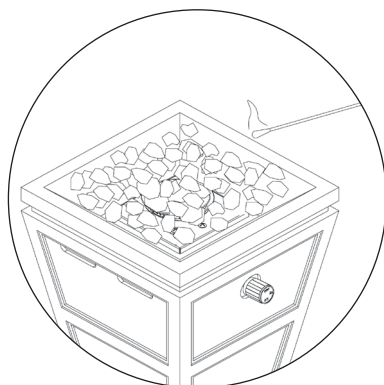
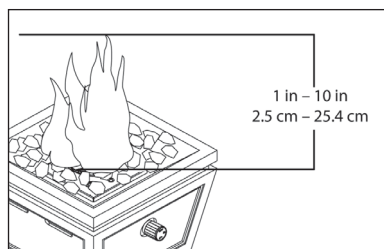


Figure 8



Lighting Instructions

- ▲ **CAUTION:** Keep outdoor gas appliance area clear and free from combustible materials, gasoline and other flammable vapors and liquids.

- ▲ **CAUTION:** Do NOT obstruct the flow of combustion and ventilation air.

- ▲ **CAUTION:** Check and clean burner/venturi tubes for insects and insect nests. A clogged tube can lead to a fire.

- ▲ **CAUTION:** Attempting to light the burner with a cover on it may cause an explosion.

1. Make sure all labels, packaging and protective films have been removed from the outdoor fireplace.
2. Make sure there are no obstructions of airflow to the gas unit. Spiders and insects can nest within and clog the burner/venturi tube at the orifice.
3. Connect LP gas tank per "Connect LP Gas Tank" instructions.
4. The control knob must be in the "OFF" position (Figure 6).
5. Wearing Heat resistant gloves, position the lit long match or lit long butane lighter near the side of the burner. (Figure 7)
6. Turn control knob counterclockwise to 🔥 (HIGH).
7. Remove long match/long butane lighter.
8. If ignition does not occur in 5 seconds, turn regulator/control knob to "OFF" position, wait 5 minutes and repeat lighting procedure.
9. After lighting, observe the burner flame. Make sure all burner ports are lit and flame height matches illustration (Figure 8).

- ▲ **CAUTION:** If burner flame goes out during operation, immediately turn the gas "OFF" and let the gas clear for about 5 minutes before re-lighting.

Turning Off

1. Turn control knob to the "OFF" position (Figure 6).
2. Disconnect LP gas tank per "Disconnect LP Gas Tank" instructions and properly store tank.

Cleaning and Care

▲ CAUTION:

1. All cleaning and maintenance should be done when outdoor fireplace is cool and with the fuel supply disconnected.
2. Do NOT clean any outdoor fireplace part in a self-cleaning oven. The extreme heat will damage the finish.
3. Do NOT enlarge valve orifices or burner ports when cleaning the valves or burners.

Notices

1. This outdoor fireplace should be thoroughly cleaned and inspected on a regular basis.
2. Abrasive cleaners will damage this product.
3. Never use oven cleaner to clean any part of this outdoor fireplace.

Before Each Use:

1. Keep the outdoor fireplace area clear and free from any combustible materials, gasoline, and other flammable vapors and liquids.
2. Do NOT obstruct the flow of the combustion of LP gas and the ventilation of air.
3. Keep the ventilation opening(s) of the LP gas tank area free and clear from debris.
4. Visually check the burner flames to make sure your outdoor fireplace is working properly (Figure 8).
5. See sections below for proper cleaning instructions.
6. Check all gas connections for leaks.
7. Check components for any signs of damage or rust.
8. Check for obstructions of airflow to the burner. Spiders, insects and webs can clog the burner/venturi tube. A clogged burner/venturi tube can lead to a fire.
9. If damage to any component is detected, do NOT operate until repairs are completed.

Cleaning Surfaces

1. Wipe surfaces clean with mild dishwashing detergent or baking soda mixed with water.
2. For stubborn stains, use a citrus-based cleaner and a nylon scrubbing brush.
3. Rinse clean with water.
4. Allow to air dry.

Before Storing

1. Turn LP gas tank valve to "CLOSED."
2. Turn control knob to the "OFF" position.
3. Disconnect LP gas tank per "Disconnecting LP Gas Tank" section.
4. Clean all surfaces.
5. Lightly coat the burner with cooking oil to prevent excess rusting.
6. Cover this outdoor fireplace with a durable vinyl cover.
7. Store in a cool and dry location away from children and pets.

Product Registration

For faster warranty service, register your product immediately at BlueRhino.com/warranty or by calling 1.800.762.1142.

Replacement Parts

Replacement parts can be found at parts.BlueRhino.com or by calling 1.800.762.1142.

Limited Warranty

Blue Rhino Global Sourcing, Inc. ("Blue Rhino") warrants to the original retail purchaser of this product, and to no other person, that if this product is assembled, maintained, and operated in accordance with the printed instructions accompanying it, then for a period of one (1) year from the date of purchase, all parts in such product shall be free from defects in material and workmanship. Blue Rhino may require reasonable proof of your date of purchase. Therefore, you should retain your sales slip or invoice. This Limited Warranty shall be limited to the repair or replacement of parts, which prove defective under normal use and service and which Blue Rhino shall determine in its reasonable discretion upon examination to be defective. Before returning any parts, you should contact Blue Rhino's Customer Service Department using the contact information listed below. If Blue Rhino confirms, after examination, a defect covered by this Limited Warranty in any returned part, and if Blue Rhino approves the claim, Blue Rhino will replace such defective part without charge. If you return defective parts, transportation charges must be prepaid by you. Blue Rhino will return replacement parts to the original retail purchaser, freight or postage prepaid.

This Limited Warranty does not cover any failures or operating difficulties due to accident, abuse, misuse, alteration, misapplication, improper installation or improper maintenance or service by you or any third party, or failure to perform normal and routine maintenance on the product as set out in this owner's manual. In addition, the Limited Warranty does not cover damage to the finish, such as scratches, dents, discoloration, rust or other weather damage, after purchase.

This Limited Warranty is in lieu of all other express warranties. Blue Rhino disclaims all warranties for products that are purchased from sellers other than authorized retailers or distributors, including the warranty of merchantability or the warranty of fitness for a particular purpose. BLUE RHINO ALSO DISCLAIMS ANY AND ALL IMPLIED WARRANTIES, INCLUDING WITHOUT LIMITATION THE IMPLIED WARRANTIES OF MERCHANTABILITY AND FITNESS FOR A PARTICULAR PURPOSE. BLUE RHINO SHALL HAVE NO LIABILITY TO PURCHASER OR ANY THIRD PARTY FOR ANY SPECIAL, INDIRECT, PUNITIVE, INCIDENTAL, OR CONSEQUENTIAL DAMAGES. Blue Rhino further disclaims any implied or express warranty of, and assumes no responsibility for, defects in workmanship caused by third parties.

This Limited Warranty gives the purchaser specific legal rights; a purchaser may have other rights depending upon where he or she lives. Some jurisdictions do not allow the exclusion or limitation of special, incidental or consequential damages, or limitations on how long a warranty lasts, so the above exclusion and limitations may not apply to everyone.

Blue Rhino does not authorize any person or company to assume for it any other obligation or liability in connection with the sale, installation, use, removal, return, or replacement of its equipment, and no such representations are binding on Blue Rhino.

Blue Rhino Global Sourcing, Inc.
Winston-Salem, North Carolina 27105 USA
1.800.762.1142

Troubleshooting

Problem	Possible Cause	Prevention/Cure
Burner will not light with match	No gas flow	Check if LP gas tank is empty A. If empty replace B. If LP gas tank is not empty, refer to "Sudden drop in gas flow or reduced flame height"
	LP gas tank is low or empty	Replace LP gas tank
	LP gas leak	1. Turn LP gas tank valve to "CLOSED" 2. Wait 5 minutes for gas to clear 3. Follow "Checking for Leaks" section
	Coupling nut and regulator not fully connected	Turn the coupling nut about one-half to three-quarter additional turn until solid stop. Tighten by hand only - do NOT use tools.
	Obstruction of gas flow	Clean burner/venturi tube
	Spider webs or insect nest in venturi	Clean burner/venturi tube
	Burner ports clogged or blocked	Clean burner/venturi tube
Sudden drop in gas flow or reduced flame height	Out of gas	Replace LP gas tank
	Excess flow valve tripped; safety device may have been activated	1. Turn control knob to "OFF" 2. Wait 30 seconds and light outdoor fireplace per "Lighting" section 3. If flames are still too low, reset the overfilling prevention device: a. Turn control knob "OFF" b. Remove LP gas tank c. Wait one minute d. Attach LP gas tank e. Perform a leak check per "Checking for Leaks" instructions in the owner's manual f. Light outdoor fireplace per "Lighting" section
Irregular flame pattern, flame does not run the full length of burner	Burner ports are clogged or blocked	Clean burner ports
Flame is yellow or orange	New burner may have residual manufacturing oils	Burn outdoor fireplace for 15 minutes and reinspect
	Spider webs or insect nest in burner/venturi tube	Clean burner/venturi tube
	Poor alignment of valve to burner/venturi tube	Ensure burner/venturi tube is properly engaged with valve
Flame goes out	High or gusting winds	Do not use grill in high winds
	Low on LP gas	Replace LP gas tank
Flame seems to lose heat when burning in cold weather - temperature below 50°F	Ice has built up on the outside of the LP gas tank because the vaporization process is too slow	1. Turn control knob to "OFF" 2. Replace with a spare LP gas tank 3. Reconnect LP gas tank per "Installing LP Gas Tank" section 4. Follow "Checking for Leaks" section 5. Light outdoor fireplace per "Lighting" section

For assistance, please visit us at BlueRhino.com or call 1.800.762.1142.

Guide de dépannage

Problème	Cause possible	Prévention/mesure corrective
Le brûleur ne s'allume pas avec une allumette	<p>Absence de gaz.</p> <p>La bouteille de propane est vide ou presque vide.</p> <p>Remplacez la bouteille de propane.</p> <p>Il y a une fuite de propane.</p> <p>L'écrou de couplage et le régulateur ne sont pas complètement raccordés.</p> <p>Obstruction du débit de gaz.</p> <p>Nettoyez le venturi et le tube du brûleur.</p> <p>Araignées ou insectes dans le venturi.</p> <p>Les orifices du brûleur sont bouchés ou bloqués.</p> <p>Il n'y a plus de gaz.</p>	<p>Vérifiez si la bouteille de propane est vide.</p> <p>A. Si elle est vide, remplacez-la ou remplissez-la.</p> <p>B. Si la bouteille n'est pas vide, reportez-vous aux instructions "Baisse soudaine du débit du propane ou hauteur réduite de flamme."</p> <p>Remplacez la bouteille de propane.</p> <p>1. Tournez le robinet de la bouteille de propane sur « CLOSED » (fermé).</p> <p>2. Attendez 5 minutes pour que le gaz se dissipe.</p> <p>3. Suivez les instructions du chapitre « Détecter une fuite » du manuel.</p> <p>Tournez l'écrou de couplage environ un demi ou trois quart de tour de plus jusqu'à l'arrêt complet. Serrez manuellement environ sans utiliser d'outils.</p> <p>Nettoyez le venturi et le tube du brûleur.</p> <p>Nettoyez le venturi et le tube du brûleur.</p> <p>Nettoyez le venturi et le tube du brûleur.</p>
Sudden drop in gas flow or reduced flame height	<p>Débit excessif; le dispositif de sécurité de limitation de débit a peut-être été déclenché.</p>	<p>1. Tournez le bouton de commande sur « ARRÊT ».</p> <p>2. Attendez 30 secondes puis allumez le foyer d'extérieur en suivant les instructions d'allumage « Pour allumer ».</p> <p>3. Si les flammes demeurent trop basses, réarmez le dispositif de sécurité de limitation de débit :</p> <p>a. Tournez les boutons de commande sur « arrêt ».</p> <p>b. Débranchez le brûleur de propane.</p> <p>c. Attendez 1 minute.</p> <p>d. Retirez le brûleur de propane.</p> <p>e. Assurez-vous que le raccord ne présente pas de fuite en effectuant un test d'étanchéité en vous reportant au paragraphe « Rechercher une fuite potentielle ».</p> <p>f. Allumez le foyer d'extérieur en suivant les instructions d'allumage « Pour allumer ».</p>
Flamme irrégulière, flamme ne se répartissant pas sur toute la longueur du brûleur	<p>Les orifices du brûleur sont bouchés ou bloqués.</p> <p>Nettoyez les orifices du brûleur.</p>	<p>Nettoyez les orifices du brûleur.</p>
La flamme est jaune ou orange	<p>Le nouveau brûleur peut contenir des huiles résiduelles de fabrication.</p> <p>Laissez le foyer d'extérieur fonctionner pendant encore 15 minutes puis vérifiez à nouveau.</p> <p>Toiles d'araignées ou nid d'insectes dans le venturi.</p> <p>Nettoyez le venturi/tube du brûleur.</p> <p>Mauvaise alignement de la valve sur le venturi du brûleur.</p> <p>Assurez-vous que le venturi du brûleur est correctement raccordé à la valve.</p> <p>Vent fort ou bourrasques.</p> <p>Ne pas utiliser le foyer d'extérieur les jours de vent fort.</p>	<p>La flamme s'éteint.</p> <p>La bouteille de propane est presque vide.</p> <p>Echangez, remplissez ou remplacez la bouteille de propane.</p>
Les flammes semblent perdre de leur chaleur lorsque vous utilisez le foyer par temps froid, à une température de 50°F (10°C).	<p>Accumulation de givre sur l'extérieur de la bouteille de propane car le processus de vaporisation est trop lent.</p>	<p>4. Tournez le bouton de commande sur « ARRÊT ».</p> <p>5. Remplacez la bouteille de propane usée par une bouteille de propane de rechange.</p> <p>6. Rebranchez la bouteille de propane en suivant les instructions du chapitre « Installer la bouteille de propane ».</p> <p>7. Assurez-vous que tous les raccords sont étanches en effectuant un test d'étanchéité.</p> <p>8. Allumez le foyer d'extérieur en suivant les instructions d'allumage « Pour allumer ».</p>

Pour toute assistance, veuillez consulter notre site internet BlueRhino.com ou appeler le 1.800.762.1142.

Vous avez besoin d'aide? Appelez le 1.800.762.1142.

Ne retournez pas au point de vente.

Pour pièces de rechange, voir
1.800.762.1142
parts.BlueRhino.com

Nettoyage et entretien (suite)

Avant le remisage

1. Fermez le gaz en réglant le robinet de la bouteille de propane sur « CLOSED » (fermé).
2. Tournez le bouton de commande sur « ⚠ ARRÊT ».
3. Débranchez la bouteille de propane en suivant les instructions « Débrancher la bouteille de propane ».
4. Nettoyez toutes les surfaces du foyer d'extérieur.
5. Appliquez une fine couche d'huile de cuisine afin d'éviter toute apparition de rouille.
6. Couvrez le foyer d'extérieur avec une housse résistante en vinyle.
7. Remisez le foyer dans un endroit frais et sec, loin des enfants et des insectes.

Enregistrement de l'appareil

Pour bénéficier plus rapidement du service offert par la garantie, veuillez enregistrer cet article immédiatement sur le site internet BlueRhino.com/Warranty ou appelez le 1.800.762.1142.

Pièces de rechange

Vous trouverez toutes les pièces de rechange nécessaires sur le site [web parts.bluerhino.com](http://parts.bluerhino.com) ou appelez le 1.800.762.1142.

Garantie limitée

La société Blue Rhino Global Sourcing, Inc. (« Blue Rhino ») garantit cet article au premier

acheteur au détail et à aucune autre personne, contre tout vice de matériau et de fabrication pendant un (1) an à partir de la date d'achat si cet article est monté et utilisé conformément

aux instructions fournies. Blue Rhino vous demandera sans doute une preuve raisonnable

d'achat datée, veuillez donc conserver votre facture ou votre reçu. Cette garantie limitée se

limitera à la réparation ou au remplacement de pièces ayant été déterminées défectueuses par

Blue Rhino lors de conditions d'utilisation et d'entretien normales. Avant de renvoyer une pièce,

contactez le service à la clientèle de Blue Rhino. Si Blue Rhino confirme le défaut de fabrication

et approuve la réclamation, ce dernier remplacera gratuitement les dites pièces. Si vous devez

renvoyer des pièces défectueuses, les pièces devront être expédiées port-payé. Blue Rhino

s'engage à renvoyer les pièces à l'acheteur port-payé.

Cette garantie limitée ne couvre pas les panes et dysfonctionnements survenant suite à tout

accident, mauvais usage, entretien incorrect de cet article, ou toute modification, mauvaise

installation ou négligence comme il a été établi dans ce manuel. De plus, cette garantie limitée

ne couvre pas les dommages au fini, à savoir les rayures, les bosses, les traces de décoloration,

de rouille ou les dommages résultant des intempéries après achat de l'article.

Cette garantie remplace toute autre garantie expresse et il n'existe aucune autre garantie

expresse à l'exception de la couverture indiquée ici. Blue Rhino désavoue toute garantie

couvrant des produits ayant été achetés auprès de revendeurs autres que les revendeurs et

distributeurs agréés y compris toute garantie de commercialité et d'adaptation à un usage

particulier. BLUE RHINO DÉCLINE ÉGALEMENT TOUTE GARANTIE IMPLICITE Y COMPRIS TOUTE

GARANTIE DE COMMERCIALITÉ ET D'ADAPTATION À UN USAGE PARTICULIER. BLUE RHINO

NE POURRA ÊTRE TENU RESPONSABLE PAR L'ACHETEUR OU UN TIERS POUR TOUTS DÉGÂTS

ET DOMMAGES PARTICULIERS, INDIRECTS, PUNITIFS OU CONSÉCUTIFS. De plus, Blue Rhino

désavoue toute garantie expresse ou implicite et décline toute responsabilité en cas de défaut

de fabrication causés par un tiers.

Cette garantie limitée octroie des droits spécifiques à l'acheteur reconnus par la loi et il

est possible que ce dernier en possède d'autres selon sa localité. Certaines juridictions ne

permettent pas l'exclusion ni la limitation de dommages consécutifs ou accessoires ni la

limitation en temps d'une garantie et ces limitations peuvent ne pas être applicables à tous.

Blue Rhino ne permet en aucun cas à une personne ou à une société de s'attribuer les

responsabilités et les obligations liées à la vente, l'installation, l'utilisation, la dépose ou le

remplacement de cet article, et aucune de ces représentations n'engage la responsabilité de

Blue Rhino.

Blue Rhino Global Sourcing, Inc.

Winston-Salem, North Carolina 27105, États-Unis

(800)-762-1142

Fonctionnement

Détecter une fuite

- ▲ **AVERTISSEMENT** : Avant d'utiliser ce foyer d'extérieur, assurez-vous d'avoir lu, compris et suivi toutes les consignes de sécurité de la page « Dangers et mises en garde » de la page 2. Le non-respect de ces consignes risque de provoquer des dégâts matériels, des blessures graves voire la mort.

Raccordement des brûleurs

- Assurez-vous que le régulateur et son tuyau ont été correctement raccordés au brûleur et à la bouteille de gaz.

- Vérifiez visuellement le branchement du tube de venturi du brûleur sur l'orifice.
- Assurez-vous que le tube de venturi du brûleur est correctement placé sur l'orifice.

▲ AVERTISSEMENT : Si vous ne vérifiez pas ce raccord et ne

respectez pas ces instructions, vous risquez de provoquer un incendie ou une explosion pouvant entraîner des dégâts matériels, des blessures graves voire la mort.

- Préparez une solution d'environ 80 ml destinée à détecter les fuites en mélangeant un volume de liquide à vaisselle et 3 volumes d'eau.
- Assurez-vous que les boutons de commande du foyer sont tous sur « ARRÊT ». Reportez-vous à l'illustration 6.
- Branchez la bouteille de propane en suivant les instructions « installer la bouteille de propane ».
- Ouvrez le gaz en réglant le robinet de la bouteille de propane sur « OPEN » (ouvert).
- Versez quelques gouttes de la solution sur tous les points de raccordement indiqués par un « X » (illustration 5).

Raccordement de la bouteille et du tuyau de gaz

- Si des bulles apparaissent, retirez la bouteille de propane puis rebranchez-la en vous assurant que le raccord est étanche.
- Si des bulles persistent après plusieurs tentatives, retirez la bouteille de propane en suivant les instructions de la section « Débrancher la bouteille de propane » et appelez le 1.800.762.1142 pour vous faire aider.
- Si l'il n'y a toujours pas de bulles après une minute, essuyez la solution et continuez.

Pour allumer

▲ **ATTENTION** : Assurez-vous que la zone autour du foyer d'extérieur demeure dégagée et dépourvue de matières combustibles, d'essence et d'autres liquides et vapeurs inflammables.

▲ **ATTENTION** : Ne pas bloquer le débit d'air de combustion du propane ni de ventilation.

▲ **ATTENTION** : Assurez-vous que les tubes de venturi et des brûleurs ne sont pas bouchés par des insectes et leurs nids et nettoyez-les si nécessaire. Si la tubulure du brûleur est bouchée, ceci risque de provoquer un incendie.

▲ **ATTENTION** : Toute tentative d'allumage du brûleur avec le couvercle fermé peut provoquer une explosion !

- Assurez-vous que toutes les étiquettes et pellicules protectrices ont bien été retirées du foyer d'extérieur.
- Assurez-vous qu'il n'existe aucune obstruction et que rien ne gêne le débit d'air vers les brûleurs. Des araignées et autres insectes peuvent y élire domicile et boucher le brûleur et le tube venturi au niveau de l'orifice. Si la tubulure du brûleur est bouchée, ceci risque de provoquer un feu en-dessous de l'appareil.
- Le bouton de commande doit être réglé sur « ARRÊT ». Reportez-vous à l'illustration 6.
- Retirez les pierres en verre ou les pierres de lave qui se trouvent autour du protégé vieillisse afin de dégager cette zone.

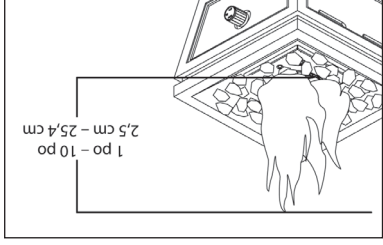


Illustration 8

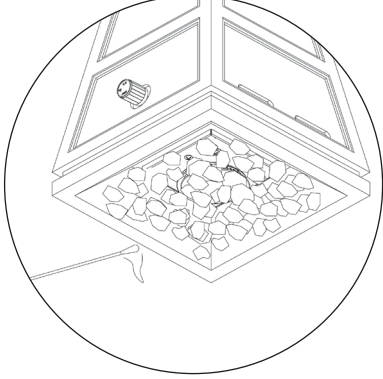


Illustration 7

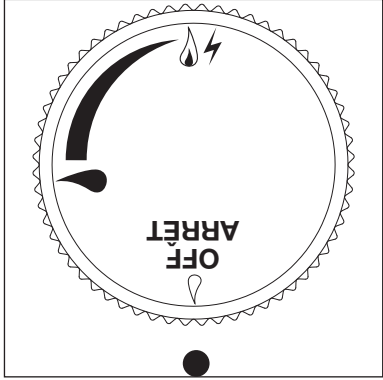


Illustration 6

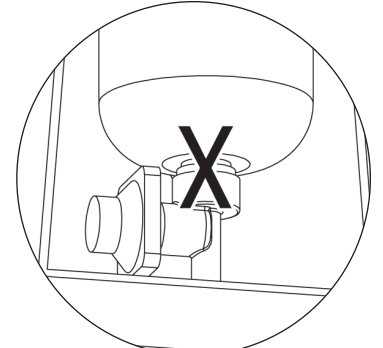


Illustration 5

Nettoyage des surfaces

- Essuyez les surfaces du foyer d'extérieur avec un liquide à vaisselle doux ou du bicarbonate de soude mélangé avec de l'eau.
- Pour les tâches coriaces, utilisez un dégraissant au citron et une brosse de nettoyage en nylon.
- Rincez à l'eau.
- Laissez le foyer d'extérieur sécher à l'air libre.

Avant chaque utilisation

- Assurez-vous que la zone autour du foyer d'extérieur demeure dégagée et dépourvue de matières combustibles, d'essence et d'autres liquides et vapeurs inflammables.
- Ne pas bloquer le débit d'air de combustion du propane ni de ventilation.
- Assurez-vous que la (ies) ouverture(s) de ventilation autour de la bouteille de propane demeurent toujours propres et dépourvues de débris.
- Vérifiez les flammes du brûleur afin de vous assurer que le foyer d'extérieur fonctionne correctement.
- Reportez-vous aux paragraphes ci-dessous pour les instructions de nettoyage.
- Vérifiez tous les raccords pour vous assurer qu'il n'y a aucune fuite.
- Vérifiez les pièces pour vous assurer qu'il n'y aucune trace d'usure ou de rouille.
- Vérifiez et nettoyez les tubes venturi et du brûleur afin de vous assurer qu'ils ne sont pas bouchés par des insectes et leurs nids. Si la tubulure du brûleur est bouchée, ceci risque de provoquer un feu sous le foyer d'extérieur.
- Si vous remarquez qu'une des pièces est endommagée, NE PAS utiliser le foyer avant d'avoir réparé la pièce.

Avis

- Ce foyer d'extérieur doit être vérifié et nettoyé en entier régulièrement.
- N'utilisez pas de produits de nettoyage abrasifs car ils risquent d'endommager le foyer d'extérieur.
- N'utilisez jamais de produit à nettoyer les fours sur une pièce quelle qu'elle soit du foyer d'extérieur.

Nettoyage et entretien

▲ **ATTENTION** : Tout nettoyage ou entretien doit être effectué lorsque le foyer d'extérieur est froid (environ 45 minutes) et après avoir fermé et débranché l'alimentation en gaz.

2. NE placez AUCUNE pièce du foyer d'extérieur dans un four autoneffoyant. La chaleur extrême endommagera le fini du foyer d'extérieur.

3. NE PAS agrandir les orifices des valves ou des brûleurs lors de leur nettoyage.

Pour éteindre

- Tournez le bouton de commande sur « ARRÊT » (voir illustration 6).
- Débranchez la bouteille en suivant les instructions « Débrancher la bouteille de propane ».

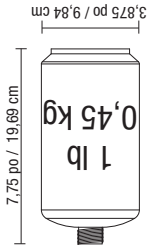
avant de rallumer le foyer.

▲ **ATTENTION** : Si la flamme du brûleur s'éteint pendant le fonctionnement du foyer, tourner immédiatement le robinet de gaz sur « ARRÊT », laisser le gaz se dissiper pendant au moins 5 minutes

- Portez des gants de protection résistants à la chaleur, approchez le bout de la longue allumette allumée ou le bout du long briquet au butane à proximité du côté du brûleur (voir l'illustration 7).
- Tournez le bouton de commande dans le sens des aiguilles d'une montre afin de le régler sur (max.).
- Retirez l'allumette ou le briquet au butane.
- Si l'appareil ne s'allume pas en 5 secondes, réglez la commande du brûleur sur « ARRÊT », attendez 5 minutes, utilisez un journal ou un magazine en tant qu'éventail pour aider à dissiper le gaz, puis reprenez la procédure d'allumage depuis le début.
- Après avoir allumé le brûleur, veuillez observer la flamme du brûleur et vérifiez que tous les orifices du brûleur sont allumés et que la hauteur de la flamme correspond à celle de l'illustration (voir illustration 8).

Installer la bouteille de propane

Ce foyer d'extérieur a été conçu afin de fonctionner avec une bouteille de propane jetable (DOT 39) d'une livre (approx. 450 g) de 7,75 po. (19,7 cm) de hauteur, soit 16,4 onces. **NE PAS TENTER DE REMPLIR UNE BOUTEILLE DE PROPANE 1 LB. (16,4 onces)!**



NE PAS RETOURNER AU MAGASIN AVEC CET ARTICLE.

Pour toute assistance technique, appelez le numéro sans frais **1.800.762.1142**. Faites en sorte que votre manuel d'utilisation et le numéro de série soient à portée de main afin de pouvoir vous y référer.

Pour faciliter l'assemblage:

1. Choisissez l'endroit où vous comptez assembler cet article. Pour éviter de perdre des petites pièces ou la quincaillerie d'installation, assemblez cet article sur une surface plane, lisse et non abrasive qui ne comporte pas de trous ni de fissures.
 2. Étalez toutes les pièces et la quincaillerie d'installation.
 3. Serrez à la main toute les fixations et la visserie en premier. Une fois l'étape terminée, serrez-les complètement en veillant à ne pas trop les serrer afin d'éviter d'endommager la surface de l'appareil et de fausser le filetage.
 4. Suivez toutes les étapes dans l'ordre afin d'assembler correctement cet article.
- Pour effectuer l'assemblage, vous aurez besoin des choses suivantes:
- une (1) solution de détection de fuites (voir instructions sur la préparation de la solution au chapitre « Fonctionnement »).
 - une (1) bouteille de propane de 16,4 onces (1 livre ou approx. 450 g)
- Temps d'assemblage: environ 5 minutes.

1

Instructions d'assemblage

Brancher la bouteille de propane

1. Assurez-vous que le bouton de commande du régulateur est réglé sur « ARRÊT ». Reportez-vous à l'illustration 6.
2. Lubrifiez le filetage du bouton de commande du régulateur avec de la vaseline. Faites correspondre le filetage de la bouteille de propane à celui du bouton de commande du régulateur.
3. Insérez puis tournez la bouteille de propane dans le sens des aiguilles d'une montre jusqu'à ce qu'elle soit correctement ajustée. **SERRER UNIQUEMENT À LA MAIN.** Faites attention à ne pas fausser le filetage en tentant de visser la bouteille. Reportez-vous à l'illustration 2.
4. Assurez-vous que le raccord ne présente pas de fuite en effectuant un test d'étanchéité en vous reportant au paragraphe « Rechercher une fuite potentielle ».

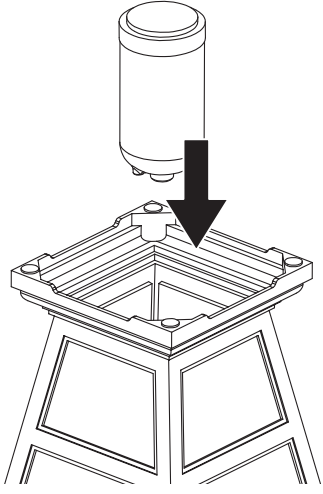
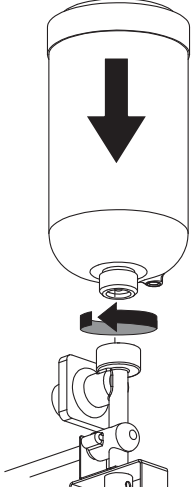


Illustration 2



Débrancher la bouteille de propane

1. Tournez le bouton de commande du régulateur sur « ARRÊT ». Reportez-vous à l'illustration 6.
2. Tournez la bouteille de propane dans le sens inverse à celui des aiguilles d'une montre jusqu'à ce qu'elle soit desserrée. Reportez-vous à l'illustration 4.
3. Retirez la bouteille de propane. Reportez-vous à l'illustration 3.
4. Entrez la bouteille de propane dans un endroit adéquat en suivant les instructions figurant sur la bouteille.

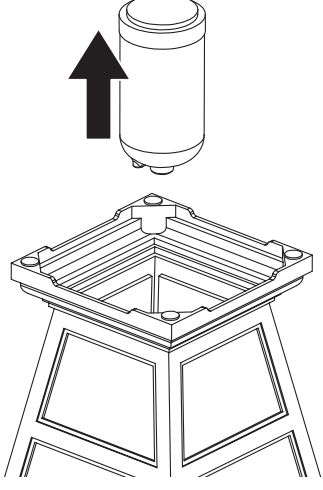


Illustration 3

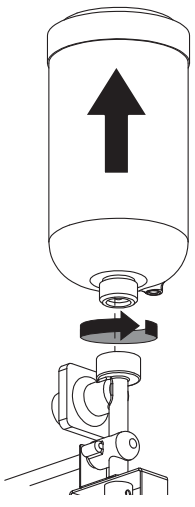
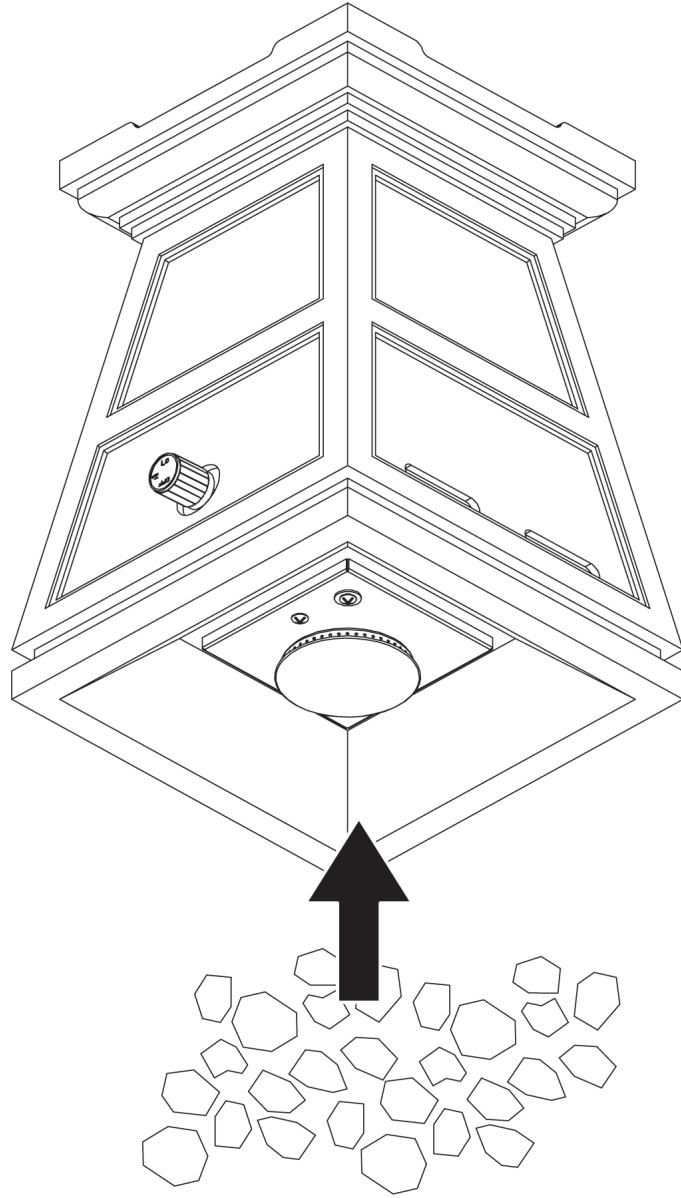
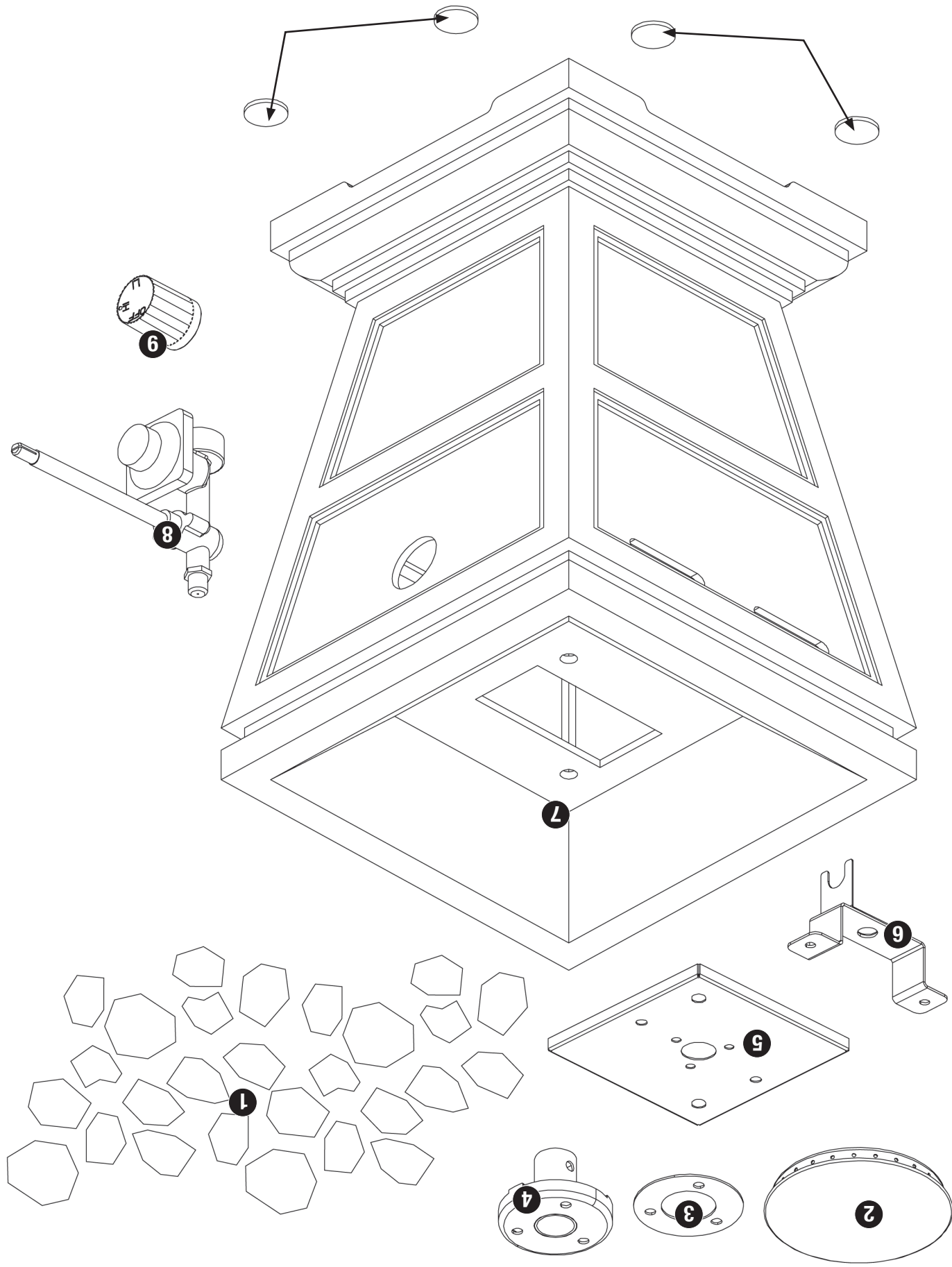


Illustration 4



Placer les pierres en verre

2



Vue éclatée

Liste des pièces

	* Pré-monté
1	Pierres de verre 58-23-089
2	Brûleur* 58-23-090
3	Protège brûleur* 58-23-091
4	Tube de venturi* 58-23-092
5	Pare-chaud* 58-23-094
6	Support du brûleur* 58-23-095
7	Structure* 58-23-103
8	Commande/régulateur* 58-23-104
9	Bouton de commande* 58-23-098
10	Patin (4) 58-23-101

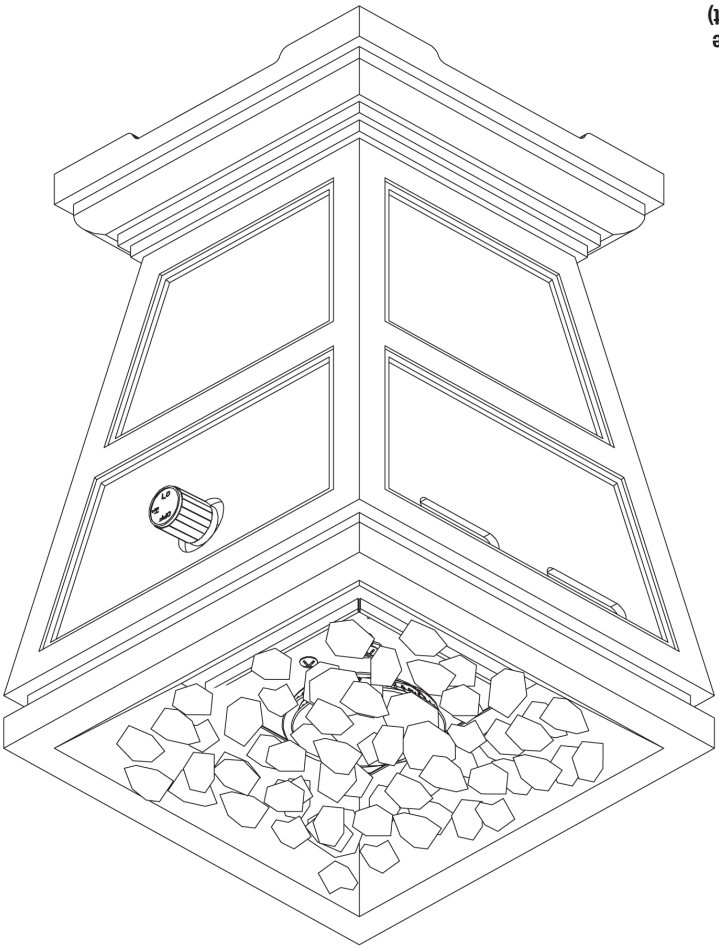
- ▲ NE PAS utiliser ce foyer d'extérieur avant de lire toutes les instructions de ce manuel d'utilisation.
- ▲ NE PAS utiliser le foyer d'extérieur afin de brûler du bois, des briquettes de charbon de bois, du charbon, des bûches en bois d'aggloméré, du bois ayant séjourné dans l'eau, des ordures, des feuilles, du papier, du carton, du contreplaqué, du bois peint ou teint ou du bois imprégné sous pression
- ▲ Il est primordial que le compartiment de la valve du foyer d'extérieur, les brûleurs et les passages par où l'air circule demeurent propres. Vérifier le foyer d'extérieur avant chaque utilisation.
- ▲ NE PAS utiliser le foyer d'extérieur à moins qu'il ne soit COMPLÈTEMENT assemblé et que les pièces ne soient toutes fixées et serrées.
- ▲ NE PAS utiliser le foyer d'extérieur à proximité de voitures, de camions, de camionnettes ou de véhicules récréatifs.
- ▲ NE PAS utiliser le foyer d'extérieur sous un abri, une structure suspendue ou en saillie ou à proximité de toute construction combustible non-protégée. Éviter d'utiliser cet appareil à proximité d'arbres ou de buissons ou sous ces derniers.
- ▲ Placer toujours le foyer d'extérieur sur une surface plane, dure et non-combustible telle que du béton ou de la pierre. Il est déconseillé de le placer sur de l'asphalte ou du bitume.
- ▲ NE PAS utiliser le foyer d'extérieur pour la cuisson.
- ▲ NE PAS utiliser le foyer d'extérieur si une pièce quelconque a été immergée dans de l'eau. Contactez immédiatement un technicien réparateur agréé afin de vérifier l'appareil et remplacer toute pièce ou tout dispositif de la commande de réglage du gaz ayant été immergée dans de l'eau.
- ▲ NE PAS porter de vêtements inflammables ou amples en utilisant le foyer d'extérieur.
- ▲ NE PAS utiliser le foyer d'extérieur s'il y a du vent.
- ▲ NE JAMAIS se pencher au-dessus du foyer d'extérieur pour l'allumer ou lorsqu'il est allumé.
- ▲ NE PAS utiliser le foyer d'extérieur à moins que le brûleur ne soit solidement fixé.
- ▲ Veiller à ce que les câbles et cordons électriques demeurent toujours loin du foyer d'extérieur lorsqu'il est en train de fonctionner.
- ▲ Certaines surfaces du foyer d'extérieur deviendront trop chaudes au toucher lorsqu'il est allumé. Pour éviter tout risque de brûlure, ne pas toucher le foyer d'extérieur avant qu'il n'ait complètement refroidi (attendre environ 45 minutes) à moins de porter des gants de protection (gants, maniques isolantes, mitaines résistantes à la chaleur).
- ▲ NE JAMAIS laisser un foyer d'extérieur allumé sans surveillance surtout si des enfants ou des animaux domestiques et de compagnie se trouvent à proximité.
- ▲ Prévenir les enfants et les adultes du danger que présentent les surfaces brillantes du foyer et ne pas les laisser demeurer à proximité afin d'éviter qu'ils ne se brûlent ou que leurs vêtements ne prennent feu.
- ▲ Surveiller attentivement les enfants lorsqu'ils se trouvent à proximité de l'appareil.
- ▲ Ne pas accrocher de vêtements ou d'articles inflammables sur l'appareil ou à proximité de l'appareil.
- ▲ Tout cache protecteur ou dispositif de protection ayant été retiré afin de procéder à une réparation ou à l'entretien de l'appareil doit être remis en place avant de mettre en marche l'appareil.
- ▲ La housse doit être retirée lorsque le brûleur est allumé.
- ▲ NE PAS essayer de déplacer le foyer d'extérieur quand il est allumé. Laisser le foyer d'extérieur complètement refroidir avant de le déplacer ou de le remiser.
- ▲ Ce foyer d'extérieur doit être vérifié et nettoyé en entier régulièrement. Nettoyer et inspecter le tuyau à chaque fois, avant d'utiliser l'appareil. En cas d'abrasion, d'usure, de coupures ou de fuite, le tuyau doit être remplacé avant que cet appareil ne soit mis en fonctionnement.
- ▲ Ce foyer d'extérieur doit être vérifié au moins une fois par an par un réparateur qualifié. En fonction de la fréquence d'utilisation, l'appareil risquera de devoir être nettoyé plus souvent. Ne pas utiliser le foyer jusqu'à ce que toutes les pièces défectueuses aient été réparées ou remplacées.
- ▲ Utiliser uniquement le régulateur et le tuyau fournis. Le régulateur et le tuyau de rechange doivent être ceux spécifiés par le fabricant.
- ▲ Utiliser uniquement des pièces agréées de l'usine Blue Rhino Global Sourcing, Inc. L'emploi de toute pièce non agréée peut être dangereux et entraînera l'annulation de la garantie.
- ▲ Le remisage du foyer d'extérieur à l'intérieur est autorisé seulement si la bouteille a été débranchée et retirée de l'appareil et correctement entreposé à l'extérieur.
- ▲ NE PAS tenter de débrancher le régulateur de gaz de la bouteille ou de débrancher une pièce quelconque de l'alimentation du gaz lorsque le foyer d'extérieur est allumé.
- ▲ Lorsque l'on n'utilise pas le foyer d'extérieur, fermer l'alimentation du gaz au niveau de la bouteille.
- ▲ La pression du régulateur est réglée sur 11 po. (28 cm) de colonne d'eau.
- ▲ La pression d'entrée maximum pour ce foyer d'extérieur est de 11 po. (28 cm) de colonne d'eau.
- ▲ Fermer le robinet de la bouteille de propane, débrancher le régulateur avant de tester la pression de la tuyauterie à une pression égale ou supérieure à 1/2 psi (3,5 kPa).
- ▲ Ne pas s'asseoir sur la surface carrelée due à l'âtre du foyer.
- ▲ Ne rien jeter dans le feu lorsque l'appareil est allumé.
- ▲ Les bûches, les pierres de lave et les pierres en verre deviendront très chaudes, veillez à ce que les enfants et les animaux domestiques et de compagnie demeurent à une distance sécuritaire.
- ▲ L'ouverture du col de la bouteille devrait être orientée vers la porte pour faciliter l'accès.
- ▲ NE PAS entreposer de matières combustibles dans le compartiment intérieur du socle.
- ▲ Porter des gants de protection pour assembler cet article.
- ▲ Ne pas forcer les pièces les unes dans les autres afin d'éviter toute blessure et éviter d'endommager cet article.
- ▲ Ne stockez pas de matériaux combustibles dans la base.
- ▲ Les consignes ci-dessus doivent être strictement respectées et le non-respect de ces consignes risque de provoquer des dégâts matériels ou d'entraîner des blessures graves voire la mort.

DANGERS et MISES EN GARDE: POUR VOTRE SÉCURITÉ

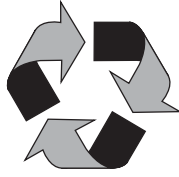
- ▲ **DANGER** : Le non-respect des avis de danger, des mises en garde et des consignes de sécurité de ce manuel risque de provoquer un incendie ou une explosion et d'entraîner des dégâts matériels, des blessures graves voire la mort.
- ▲ **MISES EN GARDE** :
- ▲ Cet appareil doit être utilisé uniquement à l'extérieur et NE doit PAS être utilisé dans un immeuble, un garage ou tout autre espace clos.
- ▲ NE PAS utiliser ou allumer cet appareil à moins de 3,05 m de tout mur, construction ou immeuble.
- ▲ NE PAS utiliser le foyer d'extérieur pour se chauffer ou pour cuisiner à l'intérieur. Des émissions TOXIQUES de monoxyde de carbone peuvent s'accumuler et provoquer l'asphyxie.
- ▲ Pour usage domestique seulement. Ce foyer d'extérieur N'est PAS destiné à un usage commercial.
- ▲ Ce foyer d'extérieur a été homologué uniquement pour être utilisé aux États-Unis et/ou au Canada en toute sécurité. Ne pas modifier ce foyer d'extérieur afin de pouvoir l'utiliser autre part. Toute modification ou altération présentera un danger de fonctionnement et entraînera l'annulation de la garantie.
- ▲ Avis aux personnes habitant en appartements : Vérifier auprès de la gérance pour connaître les conditions requises, la réglementation et le code de prévention des incendies de votre complexe d'habitations collectives. Si permis, utiliser le foyer en le posant au sol en laissant une distance de sécurité de dix (10) pieds (3 m) entre le foyer d'extérieur et toute structure. Ne pas utiliser sous un balcon.
- ▲ Ce foyer d'extérieur doit être utilisé uniquement avec du propane liquide (GPL). Toute utilisation de gaz naturel avec ce foyer d'extérieur ou tentative de conversion au gaz naturel de ce foyer d'extérieur est dangereuse et entraînera l'annulation de la garantie.
- ▲ Caractéristiques du propane (GPL) :
- a. Il est indispensable de connaître les dangers encourus avant d'utiliser tout appareil fonctionnant au propane.
- b. Le propane, qui risque d'exploser sous pression, est plus lourd que l'air, se dépose et demeure au sol.
- c. Le propane à l'état naturel est inodore. Pour votre sécurité, un odorisant ayant l'odeur de choux avariés a été ajouté.
- d. Tout contact du propane avec la peau risque d'entraîner des engelures.
- ▲ Il est nécessaire de brancher une bouteille de propane pour faire fonctionner le foyer d'extérieur. Seules les bouteilles marquées « propane » peuvent être utilisées.
- a. La bouteille de propane doit être fabriquée, marquée et mise en service conformément à la *Réglementation sur les bouteilles de gaz de pétrole liquéfié établie par le Ministère des transports des États-Unis (DOT) ou répondre à la Norme nationale du Canada, CAN/CSA-B339 sur les bouteilles, sphères et tubes destinées au transport de produits dangereux et la commission.*
- b. La bouteille de propane doit être placée de manière à ce que l'entrée du robinet de gaz se trouve face au tuyau de gaz.
- c. La bouteille de propane doit posséder un col afin de protéger le robinet et la valve de la bouteille.
- d. Toute bouteille bosselée ou présentant des traces de rouille risque d'être dangereuse et devrait être vérifiée par votre fournisseur avant de l'utiliser.
- e. Ne pas laisser tomber la bouteille ni la manipuler brusquement ou brutalement!
- f. Les bouteilles de gaz doivent être entreposées à l'extérieur, hors de la portée des enfants et ne doivent pas être entreposées dans un bâtiment, un garage ou dans tout autre lieu fermé. Les bouteilles de gaz ne doivent jamais être entreposées dans un endroit où la température risque de dépasser 51,6°C (125°F)!
- g. Ne pas introduire d'outil ni de corps étranger dans la sortie du robinet de la bouteille de gaz ni dans la soupape de sécurité. Vous risquez d'endommager la soupape et de provoquer une fuite. Toute fuite de propane risque de provoquer une explosion ou un incendie et d'entraîner des blessures graves voire la mort.
- h. Ne jamais garder une bouteille de propane pleine dans une voiture ou dans le coffre d'une voiture sous une forte chaleur. La chaleur peut provoquer une augmentation de la pression du gaz, pouvant provoquer l'ouverture de la soupape de sécurité et lui permettre de s'échapper.
- i. Placer un capuchon cache-poussière sur la sortie du robinet de la bouteille lorsque la bouteille n'est pas utilisée. Installer uniquement le type de capuchon cache-poussière sur la sortie du robinet de la bouteille de gaz qui est fourni avec le robinet de la bouteille. L'emploi d'autres types de capuchons ou de bouchons risque d'entraîner une fuite de propane.
- j. Ne jamais entreposer une bouteille de propane de recharge sous ou à proximité de cet appareil.
- ▲ Votre foyer d'extérieur a été vérifié en usine afin de s'assurer que les raccords ne présentent aucune fuite. Vérifier à nouveau tous les raccords en suivant les instructions du chapitre "Fonctionnement" du manuel car il est possible qu'ils se soient desserrés lors du transport.
- ▲ Vérifier que l'appareil ne présente aucune fuite même si ce dernier a été assemblé pour vous par quelqu'un d'autre.
- ▲ Ne pas utiliser le foyer d'extérieur en cas de fuite de gaz. Toute fuite de gaz risque de provoquer un incendie ou une explosion.
- ▲ Il est obligatoire de suivre toutes les procédures de détection de fuite avant d'utiliser cet appareil. Afin d'éviter tout risque d'incendie et d'explosion lorsque l'on recherche une fuite :
- a. Vérifier que le circuit ne présente pas de fuite en effectuant un "test d'étanchéité" avant d'allumer le foyer d'extérieur à chaque fois que la bouteille de gaz est branchée afin de l'utiliser.
- b. Interdiction de fumer. Ne pas utiliser ni laisser de sources d'ignition à proximité du foyer d'extérieur lorsque l'on recherche une fuite.
- c. Effectuer le test d'étanchéité en plein air, dans un emplacement bien aéré.
- d. Ne pas utiliser d'allumettes, de briquets ou de flamme nue afin de rechercher une fuite.
- e. Ne pas utiliser le foyer d'extérieur avant d'avoir réparé toute les fuites.
- ▲ S'il s'avère impossible d'arrêter une fuite, débrancher la bouteille de propane. Contacter un réparateur ou votre fournisseur de bouteilles de propane.
- ▲ Ne pas utiliser ni entreposer d'essence ou de liquides aux vapeurs inflammables à moins de 7,62 m de cet appareil.
- ▲ Ne pas utiliser le foyer d'extérieur en présence de vapeurs et émissions explosives. Veiller à ce que la zone autour du foyer d'extérieur demeure dégagée et dépourvue de matières combustibles, d'essence et d'autres liquides aux vapeurs inflammables.
- ▲ Ce foyer d'extérieur, NE doit PAS être utilisé par des enfants.
- ▲ NE PAS brancher sur une source externe de gaz.
- ▲ Ne pas installer ni utiliser ce foyer d'extérieur à bord d'un bateau ou d'un véhicule récréatif.
- ▲ Ne jamais essayer de raccorder ce foyer d'extérieur au circuit de propane d'une caravane, autocaravane ou de votre maison
- ▲ Veiller à toujours utiliser cet appareil conformément aux codes locaux, nationaux et de votre province. Contactez les pompiers et les services de lutte contre les incendies pour de plus amples informations concernant l'incinération à l'extérieur et la prévention des incendies.
- ▲ Faire preuve des mêmes précautions que s'il s'agissait d'un feu normal en plein air.
- ▲ NE PAS brancher sur une source externe de gaz.
- ▲ Ne jamais essayer de raccorder ce foyer d'extérieur au circuit de propane d'une caravane, autocaravane ou de votre maison
- ▲ La prise d'alcool, de médicaments ou de drogues risque de nuire à l'aptitude de l'utilisateur à assembler ou à utiliser cet appareil en toute sécurité.

Foyer d'extérieur au propane

Modèle n° GLT1343SP



Fabrique à partir de 75% de bagasse de canne à sucre (résidu de pulpe de canne à sucre sans danger pour l'environnement)



AVERTISSEMENT



Pour usage à l'extérieur seulement (hors de tout abri clos)
Non destiné à la cuisson

AVERTISSEMENT



Le non-respect des consignes contenues dans ce manuel risque de provoquer un incendie ou une explosion et d'entraîner des dégâts matériels, des blessures graves voire la mort.

● Ne tenter en aucun cas d'allumer un appareil quelconque.

● Ne pas toucher d'interrupteur électrique; ne pas téléphoner en utilisant un téléphone de votre bâtiment.

● Appeler immédiatement votre fournisseur de bouteilles de gaz en utilisant le téléphone d'un voisin habitant dans un autre bâtiment.

● Suivre les instructions du fournisseur de bouteilles de gaz.

● Si le fournisseur de bouteilles de gaz est injoignable, appeler les pompiers.

● L'installation et l'entretien de cet appareil doit être effectué par un installateur qualifié, un service de réparation agréé ou votre fournisseur de bouteilles de gaz.

● Conservez ces instructions afin de pouvoir les consulter ultérieurement.

● Si vous êtes en train d'assembler cet appareil pour une autre personne, veuillez lui fournir le manuel afin qu'elle puisse le lire et le consulter plus tard.

AVERTISSEMENT



▲ Toute installation défectueuse ou modification incorrecte ainsi que tout mauvais réglage ou entretien incorrect risque d'entraîner des blessures ou des dégâts matériels.

▲ Se référer au manuel d'utilisation fourni avec cet appareil. Pour toute assistance ou information supplémentaire, consulter un installateur qualifié, un centre de réparation ou le fournisseur de la bouteille de gaz.

DANGER



Si'il y a une odeur de gaz :

1. Coupez l'admission de gaz de l'appareil.
2. Éteindre toute flamme nue.
3. Ouvrir le couvercle.
4. Si l'odeur persiste, éloignez-vous de immédiatement le fournisseur de gaz ou le service d'incendie.

AVERTISSEMENT



1. Ne pas entreposer ni utiliser de l'essence ni d'autres vapeurs ou liquides inflammables dans le voisinage de l'appareil, ni de tout autre appareil.

2. Une bouteille de propane qui n'est pas raccordée en vue de son utilisation, ne doit pas être entreposée dans le voisinage de cet appareil ou de tout autre appareil.

DANGER



Ne jamais laisser cet appareil allumé sans surveillance.

Table des matières

Dangers et mises en garde Page 2

Vue éclairée des pièces 3

Instructions d'assemblage 5

Installer la bouteille de propane 5

Fonctionnement 6

Nettoyage et entretien 6

Enregistrement de l'appareil 7

Pièces de rechange 7

Garantie limitée 7

Guide de dépannage 8

L'utilisation et l'installation de cet appareil doivent être conformes aux codes locaux. En l'absence de codes locaux, suivre le *National Fuel Gas Code* (Code national sur le gaz combustible), les normes ANSI Z223.1/NFPA 54, ou le *International Fuel Gas Code* (Code international sur le gaz combustible). Après son installation, cet appareil doit être mis à la terre conformément aux codes locaux ou en l'absence de codes locaux suivre le *National Electrical Code* (Code électrique national) et la norme ANSI/NFPA 70 selon le cas.

Pour une installation au Canada, ces instructions, bien qu'en général acceptables, risquent de ne pas être conformes aux codes d'installation canadiens surtout en matière de tuyauterie en surface ou dans le sol. Au Canada, l'installation de cet appareil doit être conforme aux codes locaux et/ou à la norme canadienne CAN/CGA B149.1 (code d'installation pour appareils et équipements au propane).

Proposition 65 de Californie: La combustion du propane produit des émanations et des résidus chimiques ayant été reconnus par l'Etat de la Californie comme étant source de cancer, malformations congénitales et autres dommages reproductifs.