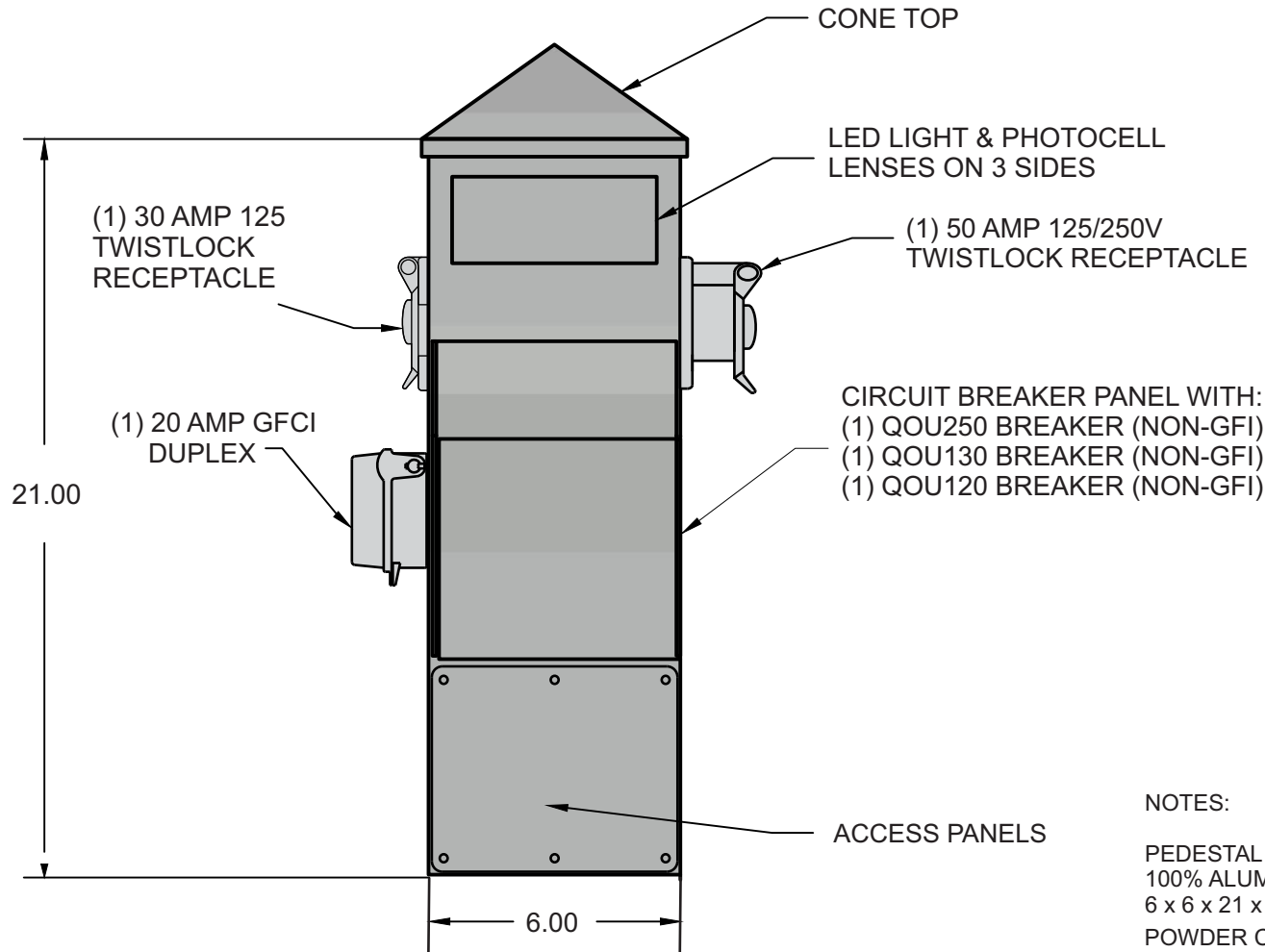


INTERNATIONAL DOCK PRODUCTS, INC.  
 Pembroke Park, FL  
[DOCKPRODUCTS.COM](http://DOCKPRODUCTS.COM)

REVISIONS				
ZONE	REV	DESCRIPTION	DATE	APPROVED
NA	A	NEW RELEASE	6/24/2024	RK

**SPC-21-3T**

- (1) 50AMP 125/250 TWISTLOCK
- (1) 30 AMP 125V TWISTLOCK
- (1) 20 AMP GFCI DUPLEX
- DIRECT FEED DISTRIBUTION BLOCK
- LED LIGHT & PHOTOCELL



CIRCUIT BREAKER PANEL WITH:  
 (1) QOU250 BREAKER (NON-GFI)  
 (1) QOU130 BREAKER (NON-GFI)  
 (1) QOU120 BREAKER (NON-GFI)

NOTES:

PEDESTAL FABRICATED FROM  
 100% ALUMINUM CASING  
 6 x 6 x 21 x 1/8 INCH  
 POWDER COATED WHITE TO  
 MARINE SPECIFICATIONS

CONTRACT NO NA	PEDESTAL-SPC-21-3T			
DRAWN 6/24/2024				
CHECK				
APPR.				
ISSUED				
	SIZE FSCM NO	DWG NO	SPC-21-3T	
	SCALE 1:1.0008	WEIGHT	SHEET 1 OF 1	
			REV	A

Client shall and accept any engineering drawing prepared by International Dock Products, Inc. prior to commencing manufacturing of product.

**ACCEPTED**

CLIENT NAME: \_\_\_\_\_ CLIENT SIGNATURE \_\_\_\_\_ DATE APPROVED: \_\_\_\_\_