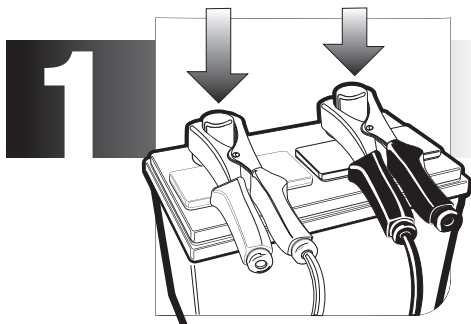


VIAIR®

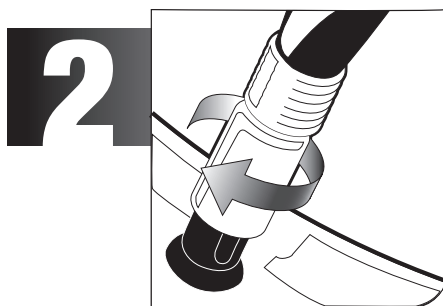
Your Vital Air Source

89P-RVS

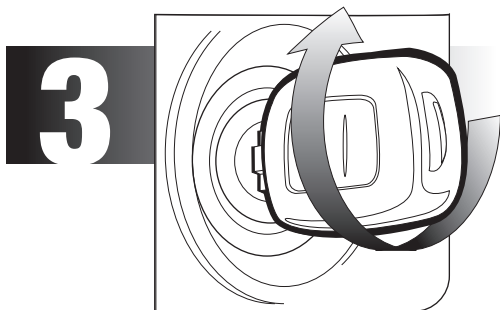
QUICK START GUIDE



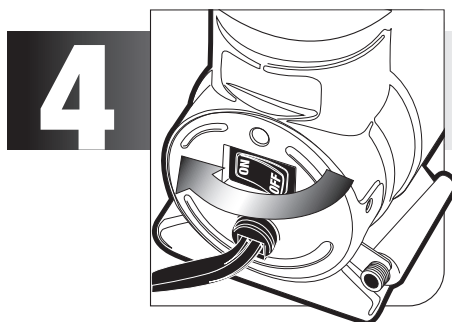
Attach the alligator clamps to the battery. Remember: Red to Positive and Black to Negative. Make sure the compressor is in the off (O) position prior to attaching the battery clamps.



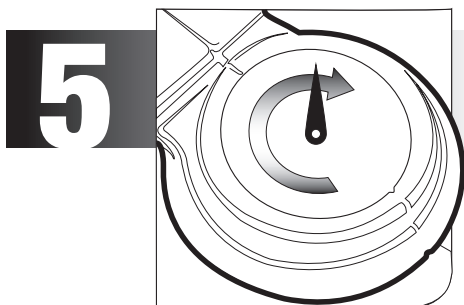
Attach the end of the air hose to the valve stem on your tire



Start your engine or ensure that the battery you are connecting the compressor to is being charged by shore power.



Turn the compressor on. The compressor will power up and begin filling the tire.



To check tire pressure, manually turn the compressor off. Once the gauge settles, that will be the accurate pressure in the tire.

VIAIR®
Your Vital Air Source

15 EDELMAN • IRVINE, CA 92618
TEL: (949) 585-0011 • FAX: (949) 585-0188
www.viaircorp.com